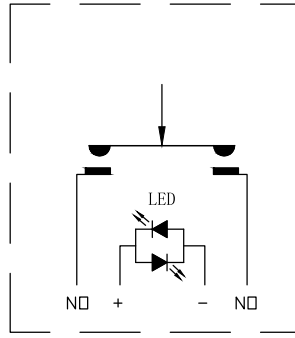
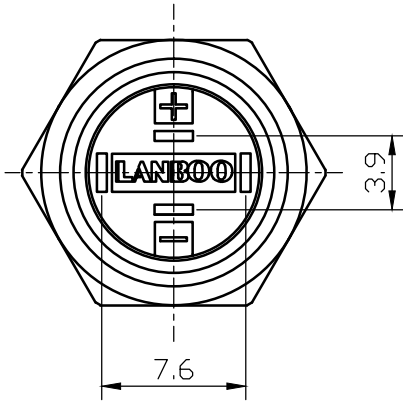
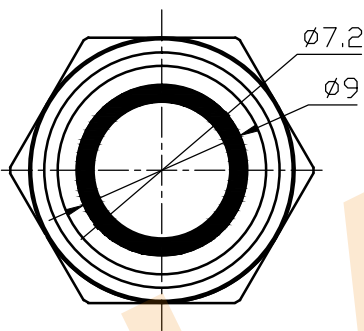
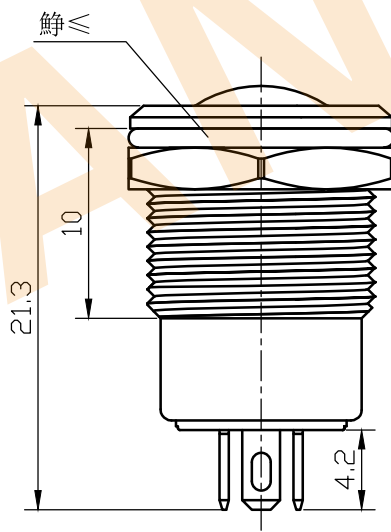
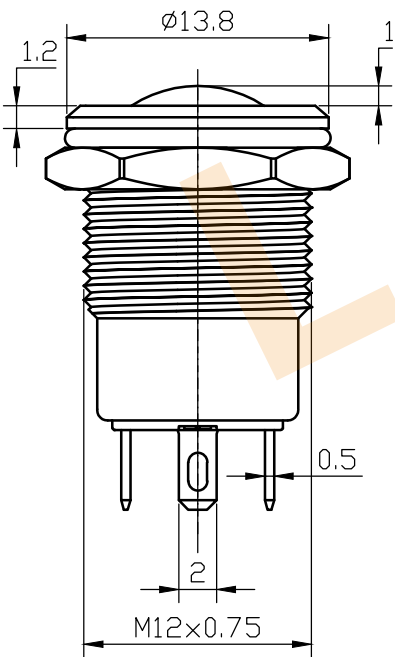


12B 12B2 16E



technical parameter

1. The surface is clean with even luster;
2. Rated voltage: resistive current: 2a24vdc / 2a220vag;
3. Rated load of LED: dc524v, AC220V (external resistance);
4. Working environment temperature: - 30 °C - + 80 °C
5. Action form: self-locking / self duplicating;
6. Action stroke: 2.8mm;
7. Action force: About 3N
8. Wiring form: Insertion of supporting connector; Welding conductor, pay attention to welding time and temperature;
9. Tightening torque: 5-14n. m;
10. Switch combination: 1NO;
11. Appearance material:
Key: PC / 316 stainless steel / Brass chrome plating;
Shell: 304 stainless steel / Brass chrome plating / aluminum alloy oxidation;
Base: high flame retardant and environmental protection Pa66;
12. Installation size: Opening diameter 12.2mm;
Panel thickness \leq 8mm.
13. Waterproof grade: 1p65;
14. Protection grade: 1k08;
15. LED lamp bead service life: 40000H;
16. Contact resistance: \leq 50m Ω
17. Insulation resistance: \geq 1000m Ω ;
18. Electrical resistance: 1000vACmin;
19. Electrical life
Rated load 0.2a24vd, 50000 times
Rated load: 1a24vdc, 30000 times



Mechanical life: Latching, 100000 times,
Momentary, 200000 times;

	副 PP H 婿 刺 K 制	稱繁 	LANBOO 羅波		
	刺 刺 H 啤 類 福 繁		啤 類 福 繁		
	符牌			%	
	an			LB12B-Q10Z/E	欠弊