



Industrial & Electrical Components

Relay Socket

Part No.

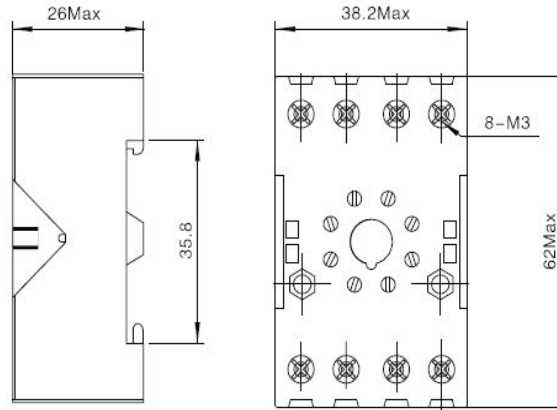
10F08B-E

10F11B-E

10F08B-E



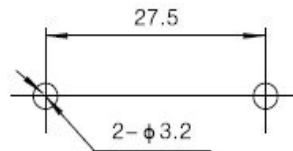
OUTLINE DIMENSIONS



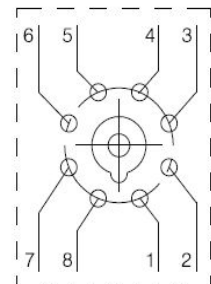
SPECIFICATION

Rated Load	Current	10A
	Voltage	300V
Dielectric Strength		2500V
Ambient Temperature		-40~+75°C
Socket Material		Flame retardance PA46-S250F6(V0)
Contacts Spring Material		QSn6.5-0.1
Clamp Spring Material		Steel
Module		No

MOUNTING DIMENSIONS



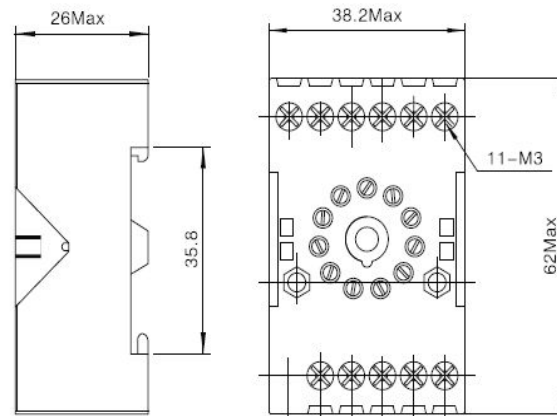
DIAGRAM



10F11B-E



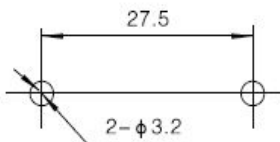
OUTLINE DIMENSIONS



SPECIFICATION

Rated Load	Current	10A
	Voltage	300V
Dielectric Strength		2500V
Ambient Temperature		-40~+75°C
Socket Material		Flame retardance PA46-S250F6(V0)
Contacts Spring Material		QSn6.5-0.1
Clamp Spring Material		Steel
Module		No

MOUNTING DIMENSIONS



DIAGRAM

