



**EXCEED PERSEVERANCE ELECTRONIC INDUSTRY CO., LTD.**

**深圳市超毅光电子有限公司**

### 2.3" Single Digit Display.

**Part Number:**

RL-S2310GDBW  
RL-S2320SBRW

RL-S2310YCBW  
RL-S2320RCBW

RL-S2320OCAW

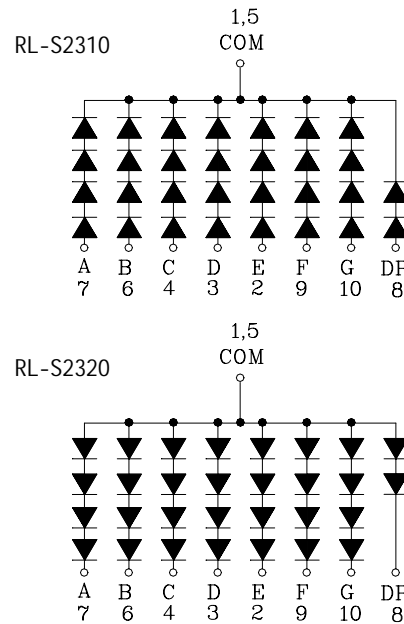
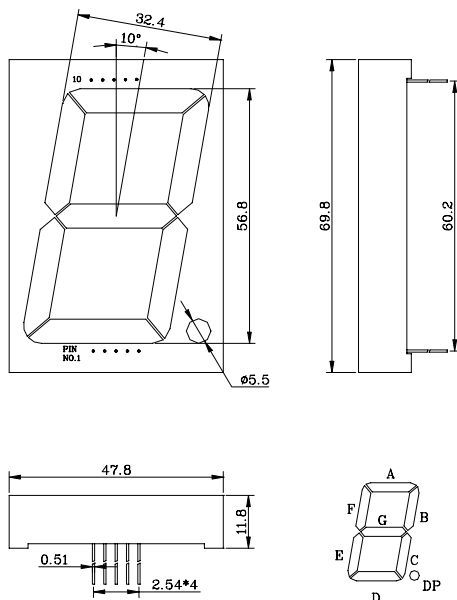
**Features**

- 1.LOW POWER CONSUMPTION.
- 2.RELIABLE AND RUGGED.
- 3.EXCELLENT UNIFORMITY OF LIGHT OUTPUT.
- 4.SUITABLE FOR LEVEL INDICATOR.
- 5.I.C COMPATIBLE.
- 6.LONG LIFE-SOLIDSTATE RELIABILITY.

**Notes:**

- 1.All dimensions are in millimeters (inches)
- 2.Tolerance is  $\pm 0.25(0.01'' )$  unless otherwise niter
- 3.Lead spacing is measured where the lead emerge package
- 4.Specifcations are subject to change without notice

**Package Dimensions & Internal Circuit Diagram.**



**Selection Guide**

Part NO.	Chip			Vf (V)			Face Color	C.C Or CA
	Material	Emitted Color	$\Delta p$ (nm)	Typ.	Max	At IF=mA		
RL-S2310GDBW	GaP	Yellow Green	570	3000	4500	20	Black	C.C.
RL-S2310YCBW	GaAsP/GaP	Yellow	585	1440	2160	20	Black	C.C
RL-S2320OCAW	GaAsP/GaP	Orange Red	630	1830	2740	20	Gray	C.A.
RL-S2320SBRW	GaAlAs	Super Red	660	4120	6190	20	Red	C.A.
RL-S2320RCBW	GaP/GaP	Bight Red	700	300	450	20	Black	C.A.

- 1.All dimensions are in millimeters (inches), Tolerance is  $\pm 0.25(0.01'' )$  unless otherwise noted.
- 2.Specifications are subject to change without notice.



**EXCEED PERSEVERANCE ELECTRONIC INDUSTRY CO., LTD.**

**深圳市超毅光电子有限公司**

**Electrical/Optical characteristics at TA=25°C.**

Symbol	Parameter	Device	Type.	Max.	Units	Test Conditions
λ peak	Peak Wavelength	Yellow Green	570		nm	IF-20mA
		Yellow	585			
		Orange Red	630			
		Super Red	660			
		Bight Red	700			
λ D	Dominate Wavelength	Yellow Green	560		nm	IF-20mA
		Yellow	580			
		Orange Red	610			
		Super Red	640			
		Bight Red	690			
Δ λ 1/2	Spectral Line Halfwit	Yellow Green	30		nm	IF-20mA
		Yellow	35			
		Orange Red	45			
		Super Red	20			
		Bight Red	45			
C	Capacitance	Yellow Green	15		pF	VF=0V; f=1MHZ
		Yellow	20			
		Orange Red	15			
		Super Red	45			
		Bight Red	40			
VF	Forward Voltage	Yellow Green	8.4	11.2	V	IF-20mA
		Yellow	8.0	11.2		
		Orange Red	8.0	11.2		
		Super Red	6.8	9.6		
		Bight Red	8.4	11.2		
IR	Reverse Current	All		10	uA	VR=5V

**Absolute Maximum Ratings at TA=25°C.**

Parameter	Yellow Green	Yellow	Orange Red	Super Red	Bright Red	Units
Power dissipation	100	85	100	110	45	mW
DC Forward Current	25	25	25	25	25	mA
Peak Forward Current	160	160	160	200	50	mA
Reverse Voltage	5	5	5	5	5	V

**NOTES:**

- 1.Operating temperature: 40°C. TO 80°C.
- 2.Lead soldering: 260°C for 5 seconds.