

# EXCEED

# Light-emitting diode



## Specification For Approval

**Customer:** \_\_\_\_\_

**Description:** LED lamp

**Part number:** RL53N-UR543/W60

**Date:** 2004/06/07

**Approved By:**

**Prepared By:**

Approval	Check	Design	Sales	
	Linda Zhan			

# EXCEED

## Light-emitting diode



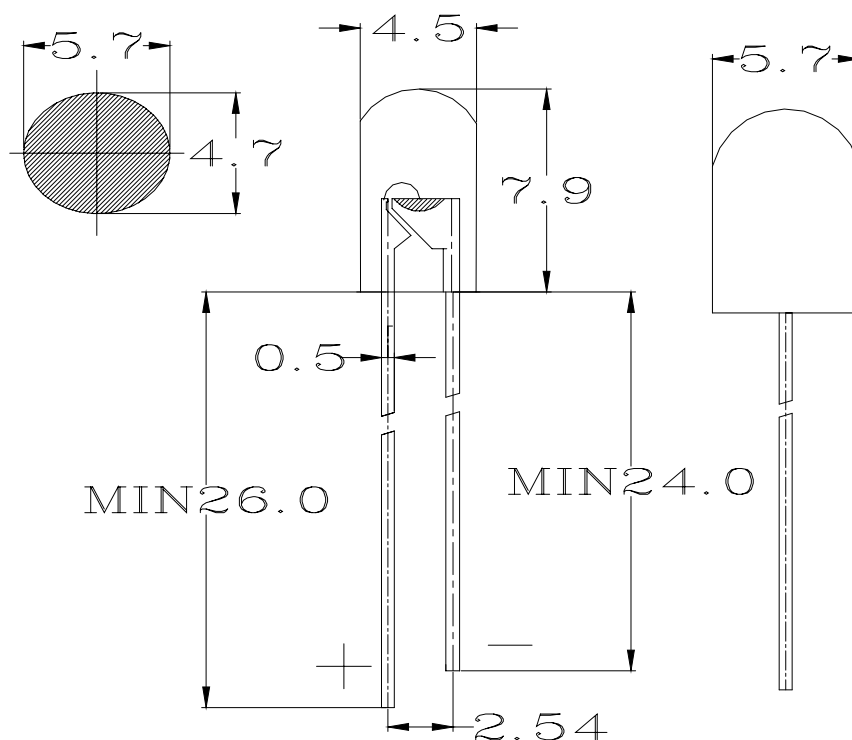
**PartNumber: RL53N-UR543/W60**

### Features

- 1.Low power consumption .
- 2.High efficiency.
- 3.Versatile mounting on p.c board or panel.
- 4.I.C compatible/ low current requirement.

### Package Dimensions

Unit □mm



Selec

NOTE: TOLERANCE  $\pm 0.2$ mm

Part Number	Lens color	Chip		
		Material	Emitted color	$\lambda_p$ (nm)
RL53N-UR543 /W60	Water Clear	ALGaInP	Ultra Red	625

EXCEED PERSEVERANCE ELECTRONICS IND CO., LTD.

# EXCEED

# Light-emitting diode



## TECHNICAL SPECIFICATION

Part Number: RL53N-UR543/W60

Parameter	Symbol	MIN.	TYP.	MAX.	UNIT	TEST CONDITION
Forward Voltage	VF	1.7	2.0	2.8	V	If=20mA
Peak Wavelength	$\lambda_p$	620	625	630	nm	
Reverse Current	IR			40	$\mu$ A	VR=5V
Power dissipation	Pd		85		mW	
Luminous Intensity	IV	2000	3000		mcd	If=20mA
Peak Forward Current	If (Peak)			100	mA	
Recommend Forward Current	If (Rec)		20		mA	
Full Viewing Angle	2 $\theta$ 1/2		60		deg	If=20mA

### NOTE:

1.Luminous intensity is measured with a light sensor and filter combination that approximates the CIE eye-response curve Tester: EG&G DR-2550.

2.IV classification code is marked on each packing bag. The IV base on line-on's bin classification. The IV guarantee should be add $\pm$ 15%

3.Absolute maximum ratings: (Ta=25 $\square$ )

4.Operating temperature : -40 $\square$  TO 80 $\square$

5.Lead soldering: 260 $\square$  for 5 seconds