

EXCEED

Light-emitting diode



Specification For Approval

Customer: _____

Description: LED lamp

Part number: RL517-GH744D

Date: 2004/11/02

Approved By:

Prepared By:

Approval	Check	Design	Sales	
	Linda Zhan			

EXCEED

Light-emitting diode



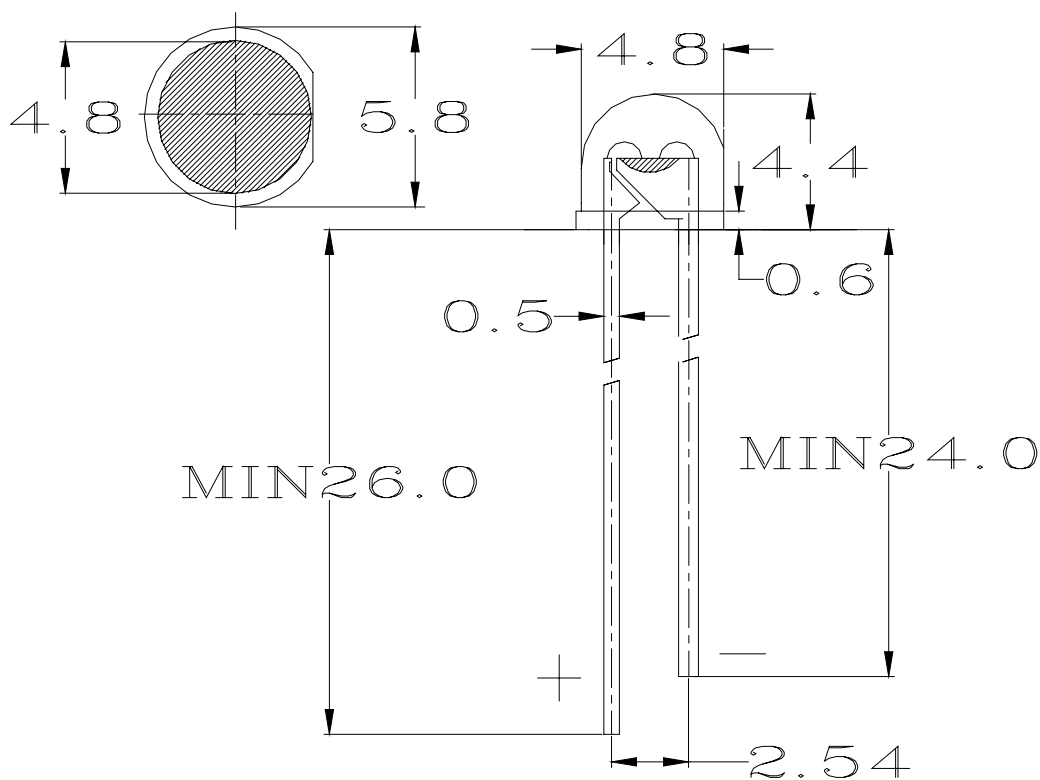
PartNumber: RL517-GH744D

Features

- 1.Low power consumption .
- 2.High efficiency.
- 3.Versatile mounting on p.c board or panel.
- 4.I.C compatible/ low current requirement.

Package Dimensions

Unit □mm



Sele

NOTE: TOLERANCE ± 0.2 mm

Part Number	Lens color	Chip		
		Material	Emitted color	λ_p (nm)
RL517-GH744D	Water Clear	ALGaInP	Green	520

EXCEED PERSEVERANCE ELECTRONICS IND CO., LTD.

EXCEED

Light-emitting diode



TECHNICAL SPECIFICATION

Part Number: RL517-GH744D

Parameter	Symbol	MIN.	TYP.	MAX.	UNIT	TEST CONDITION
Forward Voltage	VF	3.0	3.4	3.8	V	If=20mA
Peak Wavelength	λ_p	515	520	525	nm	
Reverse Current	IR			40	μ A	VR=5V
Power dissipation	Pd		170		mW	
Luminous Intensity	IV	350	450		mcd	If=20mA
Peak Forward Current	If (Peak)			100	mA	
Recommend Forward Current	If (Rec)				mA	

NOTE:

1.Luminous intensity is measured with a light sensor and filter combination that approximates the CIE eye-response curve Tester: EG&G DR-2550.

2.IV classification code is marked on each packing bag. The IV base on line-on's bin classification. The IV guarantee should be add $\pm 15\%$

3.Absolute maximum ratings: (Ta=25 \square)

4.Operating temperature : -40 \square TO 80 \square

5.Lead soldering: 260 \square for 5 seconds