

LUSTROUS[®]

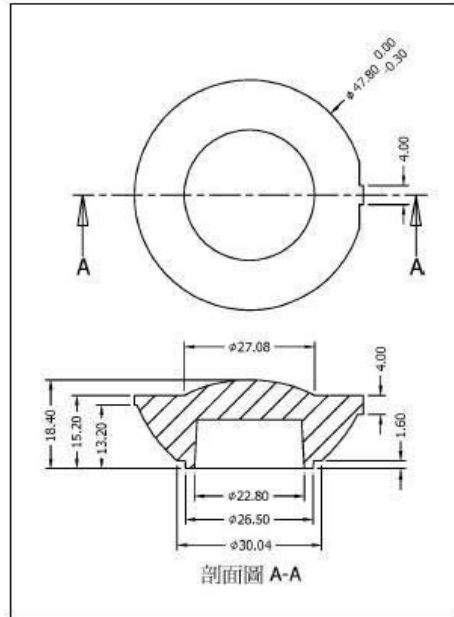
LED Optical Lens

45 deg. 2nd Lens

P/N	Degree	LED Type
2L010045-LT048	45	Lustron X



- ◆ Lens Material Optical Grade PC
- ◆ High efficiency \approx 90
- ◆ Excellent uniformity
- ◆ Typical applications are:
 - PAR Series
 - AR111
 - Downlight



Average Illuminance Figure

