



**EXCEED PERSEVERANCE ELECTRONIC INDUSTRY CO., LTD.**

深圳市超毅光电子有限公司

**φ 3.0 mm Ultra Brightness Type LEDS**

**Part Number:**

RL30-PR344S	RL30-UY544S	RL30-CB744D
RL30-GH744D	RL30-WH744D	RL30-UV744D

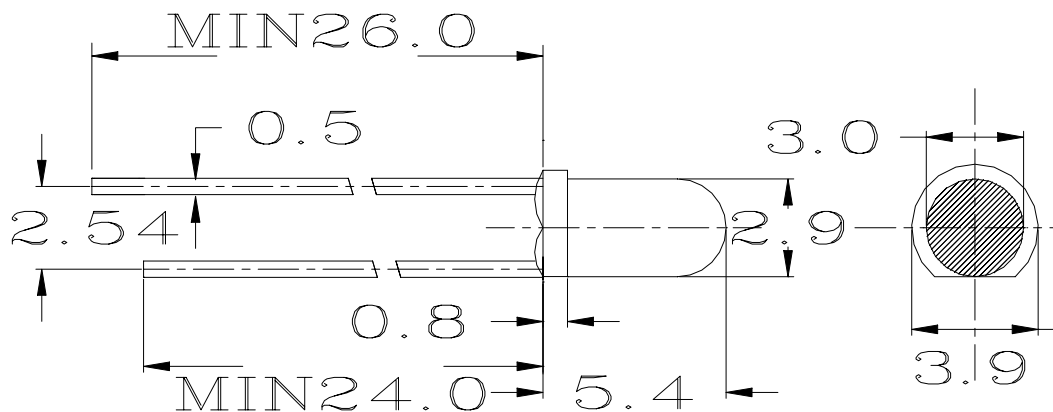
**Features**

1. LOW POWER CONSUMPTION.
2. RELIABLE AND RUGGED.
3. EXCELLENT UNIFORMITY OF LIGHT OUTPUT.
4. SUITABLE FOR LEVEL INDICATOR.
5. I.C COMPATIBLE.
6. LONG LIFE-SOLIDSTATE RELIABILITY.

**Notes:**

1. All dimensions are in millimeters (inches)
2. Tolerance is  $\pm 0.25(0.01'' )$  unless otherwise niter
3. Lead spacing is measured where the lead emerge package
4. Specifications are subject to change without notice

**Package Dimensions**



**Selection Guide**

Part NO.	Lens Type	Chip			
		Material	IV (mcd)		Viewing Angle
			@10mA	*20mA	
Min.	Typ.	2 θ 1/2			
RL30-PR344S	Ultra Red Water Clear	GaAlAs/GaAs	1200	2000	30°
RL30-UY544S	Ultra Yellow Water Clear	InGaAlP/GaAs	1500	2500	30°
RL30-CB744D	Ultra Blue Water Clear	InGaN/GaN	2500	3500	30°
RL30-GH744D	Ultra Green Water Clear	InGaN/GaN	2500	3500	30°
RL30-WH744D	Ultra White Water Clear	InGaN/GaN	3500	5000	30°
RL30-UV744D	Ultra Purple Water Clear	InGaN/GaN	100	150	30°

1. θ 1/2 is the angle from optical centerline where the luminous intensity is 1/2 the optical centerline value.

2. \*Luminous intensity with measured at 20mA.



**EXCEED PERSEVERANCE ELECTRONIC INDUSTRY CO., LTD.**

深圳市超毅光电子有限公司

**Electrical/Optical characteristics at TA=25°C.**

Symbol	Parameter	Device	Type.	Max.	Units	Test Conditions
λ peak	Peak Wavelength	Ultra Red Water Clear	660		nm	IF-20mA
		Ultra Yellow Water Clear	590			
		Ultra Blue Water65 Clear	475			
		Ultra Green Water Clear	525			
		Ultra White Water Clear	/			
		Ultra Purple Water Clear	430			
λ D	Dominate Wavelength	Ultra Red Water Clear	640		nm	IF-20mA
		Ultra Yellow Water Clear	585			
		Ultra Blue Water65 Clear	465			
		Ultra Green Water Clear	505			
		Ultra White Water Clear	/			
		Ultra Purple Water Clear	400			
Δ λ 1/2	Spectral Line Halfwit	Ultra Red Water Clear	45		nm	IF-20mA
		Ultra Yellow Water Clear	35			
		Ultra Blue Water65 Clear	25			
		Ultra Green Water Clear	25			
		Ultra White Water Clear	25			
		Ultra Purple Water Clear	25			
C	Capacitance	Ultra Red Water Clear	45		pF	VF=0V; f=1MHZ
		Ultra Yellow Water Clear	20			
		Ultra Blue Water65 Clear	65			
		Ultra Green Water Clear	65			
		Ultra White Water Clear	65			
		Ultra Purple Water Clear	65			
VF	Forward Voltage	Ultra Red Water Clear	1.8	2.4	V	IF-20mA
		Ultra Yellow Water Clear	2.1	2.8		
		Ultra Blue Water65 Clear	2.8	4.0		
		Ultra Green Water Clear	2.8	4.0		
		Ultra White Water Clear	2.8	4.0		
		Ultra Purple Water Clear	2.8	4.0		
IR	Reverse Current	All		10	uA	VR=5V

**Absolute Maximum Ratings at TA=25°C.**

Parameter	Ultra Red Water Clear	Ultra Yellow Water Clear	Ultra Blue Water65 Clea	Ultra Green Water Clear	Ultra White Water Clear	Ultra Purple Water Clear	Units
Power dissipation	110	100	170	170	170	170	mW
DC Forward Current	25	25	25	25	25	25	mA
Peak Forward Current	200	160	100	100	100	100	mA
Reverse Voltage	5	5	5	5	5	5	V

**NOTES:**

- 1.Operating temperature: 40°C. TO 80°C.
- 2.Lead soldering: 260°C for 5 seconds.