



AWM634RX

2.4GHz Video/Audio RF Module

Description

Airwave 2.4GHz Audio/Video wireless RF receiver module. Using the popular 2.4GHz ISM band and designed with high reliability. Airwave RF module is compliant with the criteria of FCC and R&TTE which can transmit/receive wide band audio & video signals up to 300 feet in open area.

Features

- Worldwide 2.4GHz ISM band
- Conform with R&TTE & FCC stipulation
- Compact size and low power consumption
- Highly efficient FM-FM modulation/demodulation scheme
- Compatible with both NTSC and PAL video formats
- Integrating Audio/Video input and output into one module baseband PCB
- No external Audio circuit needed

TECHNICAL SPECIFICATION

General

Operation Frequency Range	2400 ~ 2483MHz
Channel Selection	PLL Synthesizer, 4ch. ⁽¹⁾ (2414,2432,2450,2468MHz)
Video-Audio Modulation/Demodulation Type	FM-FM
Supply Voltage	DC + 5V (+/-2%)
Supply Current	140mA ~ 180mA
Operating Ambient Temperature	-10 ° C ~ +60 ° C

Receiver

Input Signal Level Range	-85~-10dBm
Video	
Output Signal Level	1V _{P-P} , typ. (+/-0.2Volt)
Frequency Response	+/-5 dB, max. 50Hz~5.5MHz
S/N Ratio (100KHz, 1V _{P-P} Sine Wave)	40dB, min.
Audio	
Output Frequency Range	50Hz ~ 20KHz
Output Signal Level (Modulation Signal : 50Hz~15KHz Sine Wave)	3V _{P-P} , typ. (+/-0.3Volt)
Audio Frequency Response	50Hz ~ 15kHz (-3dB Bandwidth)
S/N Ratio (50Hz ~ 15KHz)	50dB, typ. (+/-3dB)

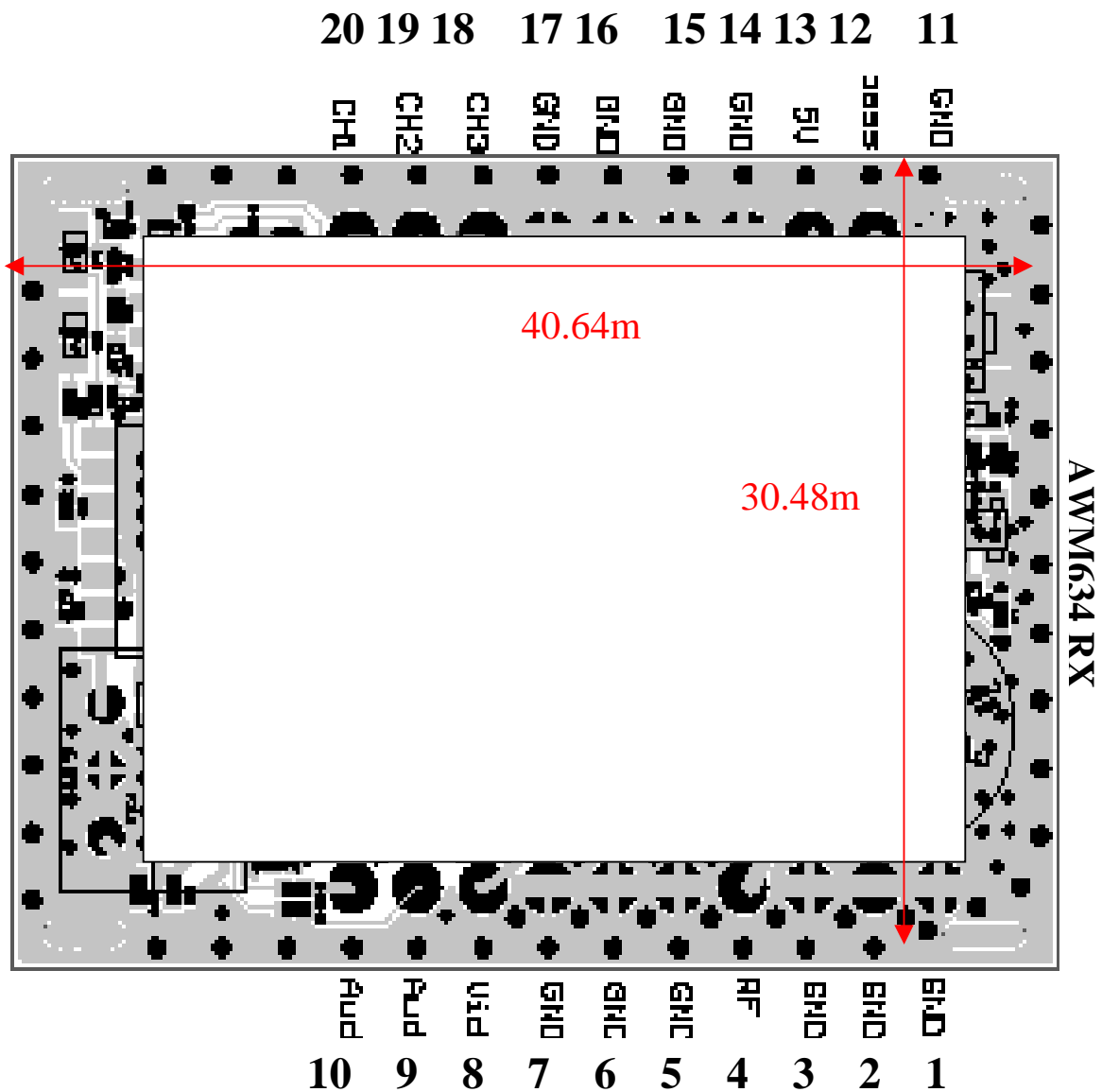
AIRWAVE TECHNOLOGIES INC.



AWM634RX

2.4GHz Video/Audio RF Module

DIMENSIONS & Pin Definition



AIRWAVE TECHNOLOGIES INC.



AWM634RX

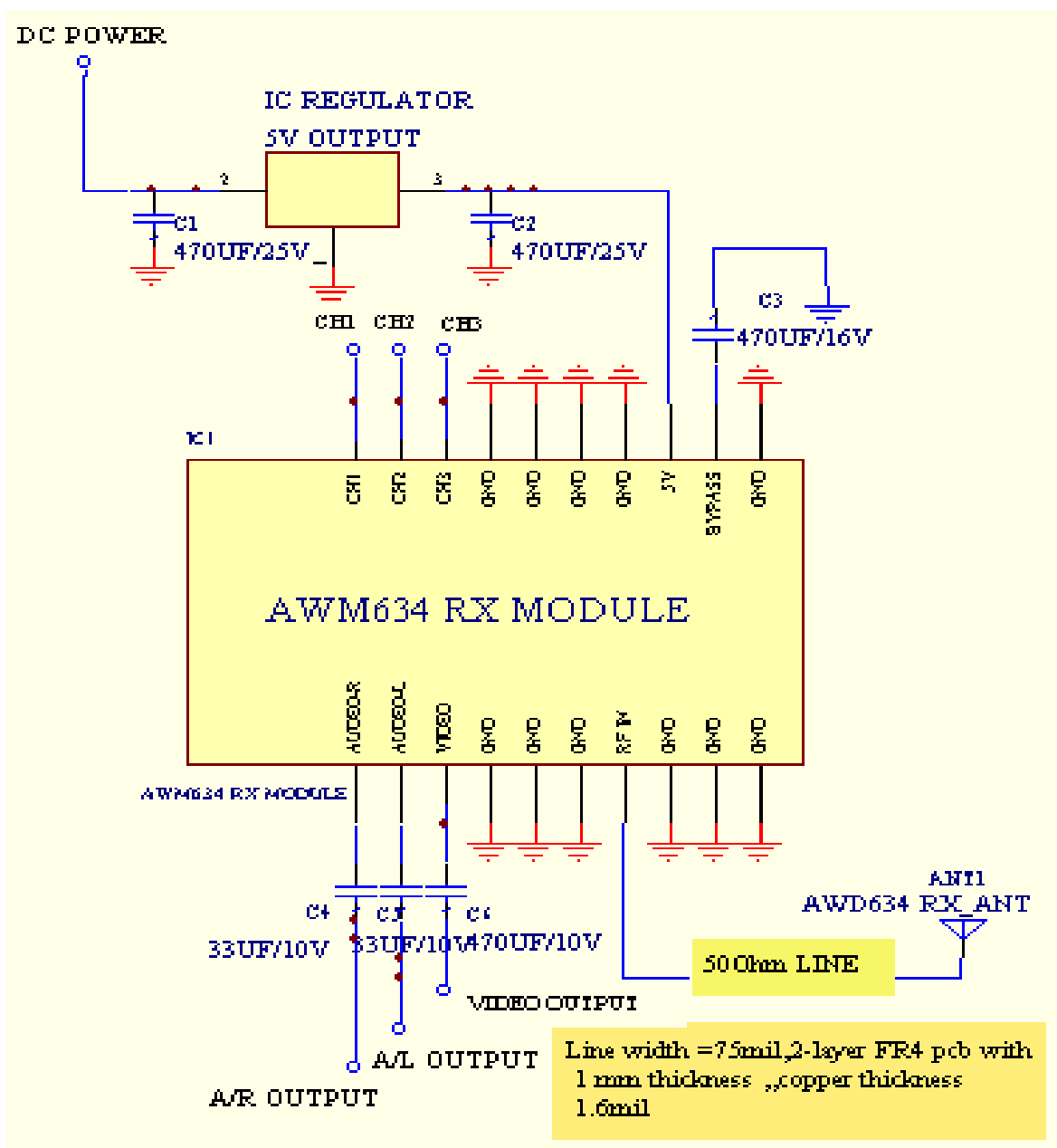
2.4GHz Video/Audio RF Module

PIN	Function	PIN	Function
1	GND	11	GND
2	GND	12	BYPASS
3	GND	13	5V
4	RF IN	14	GND
5	GND	15	GND
6	GND	16	GND
7	GND	17	GND
8	VIDEO	18	CH3
9	AUDIO-L	19	CH2
10	AUDIO-R	20	CH1

AIRWAVE TECHNOLOGIES INC.

3F, No.9 Industry E. 9th RD., Science-Based Industrial Park, Hsinchu, Taiwan, R.O.C. TEL : 886-3-5778099 Fax 886-3-5778199
Copyright © 2005 by Airwave Technologies Inc. All Specification are subject to change without notice.

AWM634RX Module Application Circuit



AIRWAVE TECHNOLOGIES INC.

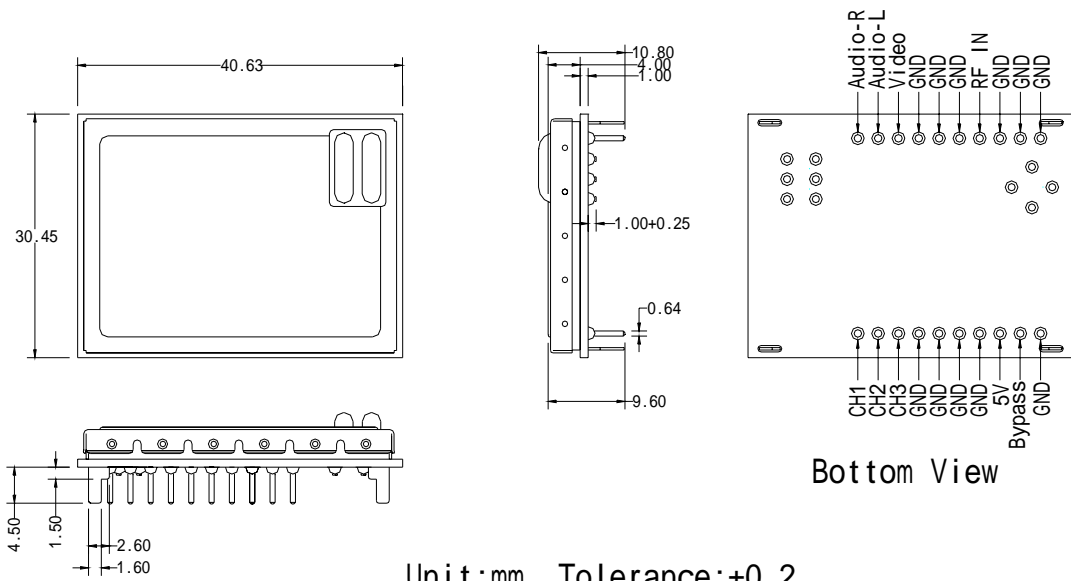


AWM634RX

2.4GHz Video/Audio RF Module

* Module height:

AWM634-RX(2-1)



Unit:mm Tolerance:±0.2

AIRWAVE TECHNOLOGIES INC.

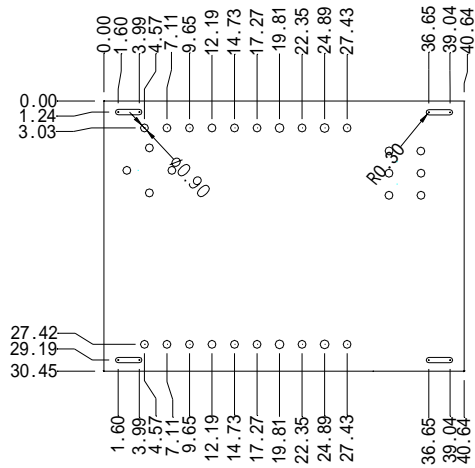
3F, No.9 Industry E. 9th RD., Science-Based Industrial Park, Hsinchu, Taiwan, R.O.C. TEL : 886-3-5778099 Fax 886-3-5778199
Copyright © 2005 by Airwave Technologies Inc. All Specification are subject to change without notice.



AWM634RX

2.4GHz Video/Audio RF Module

AWM634-RX(2-2)



Top View

Unit:mm Tolerance:±0.2

AIRWAVE TECHNOLOGIES INC.